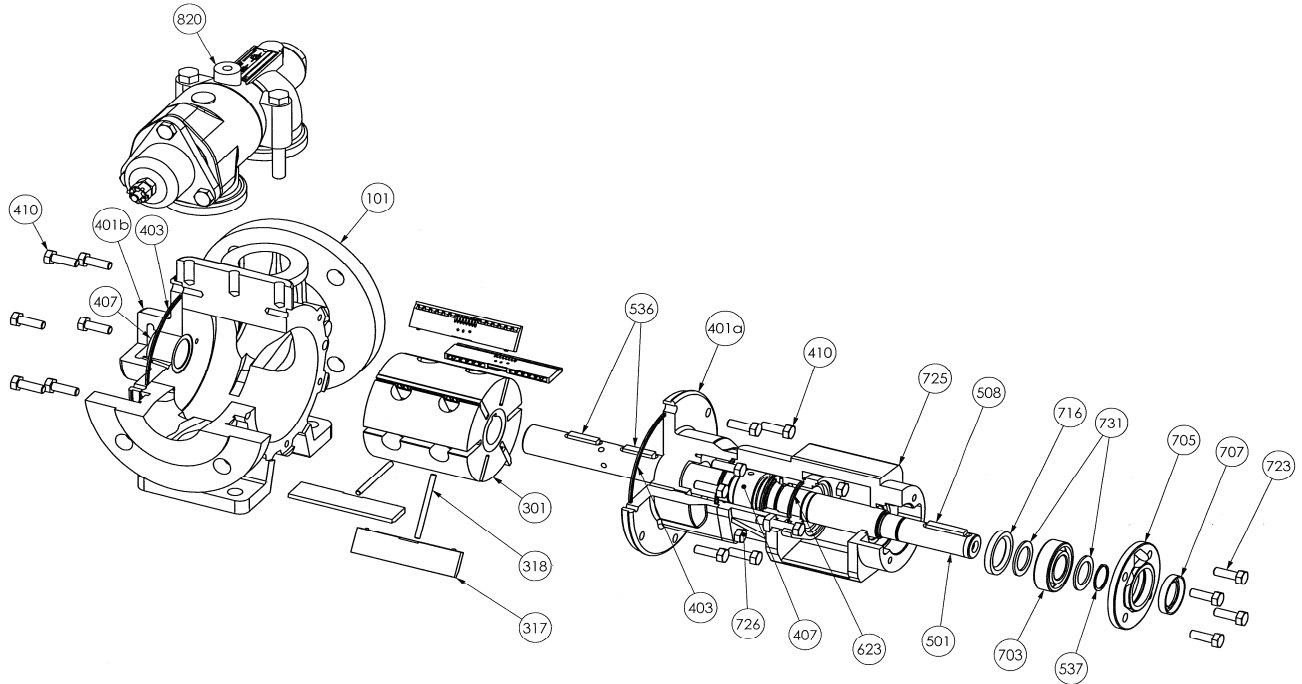
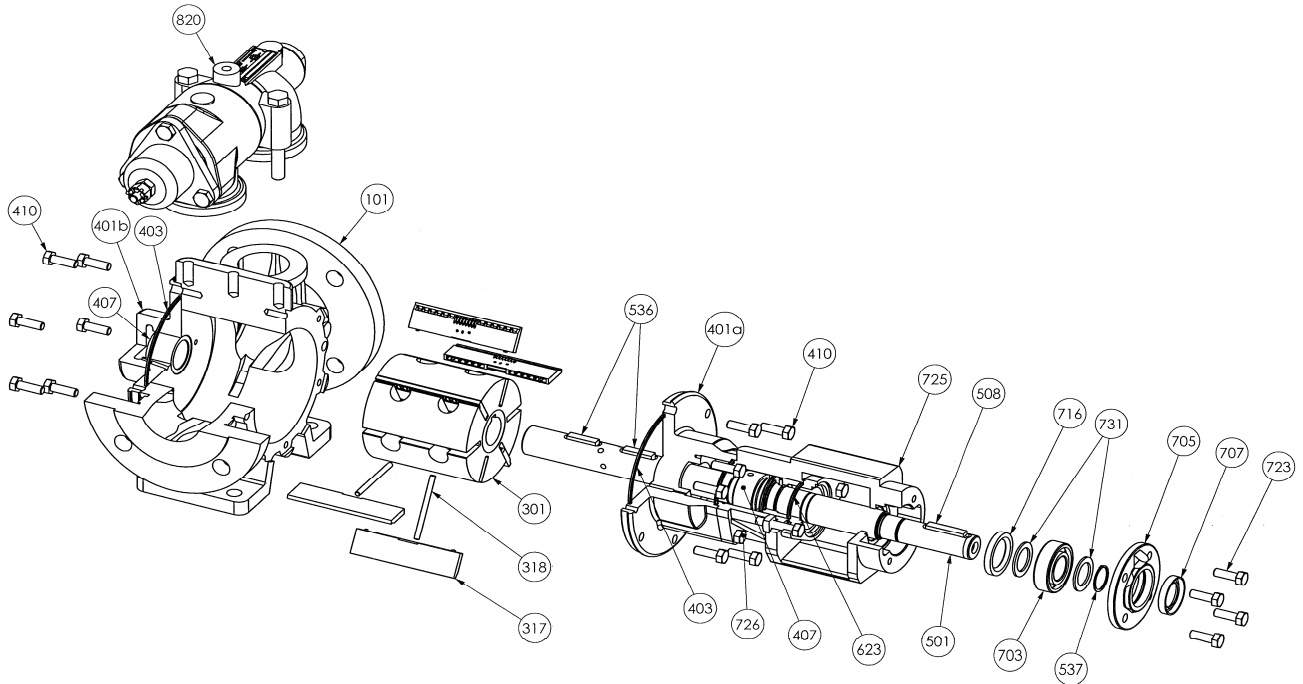


(See Instructions **1008-C00** for Installation, Operation and Maintenance)

Section	1008
Effective	October 2011
Replaces	June 2010



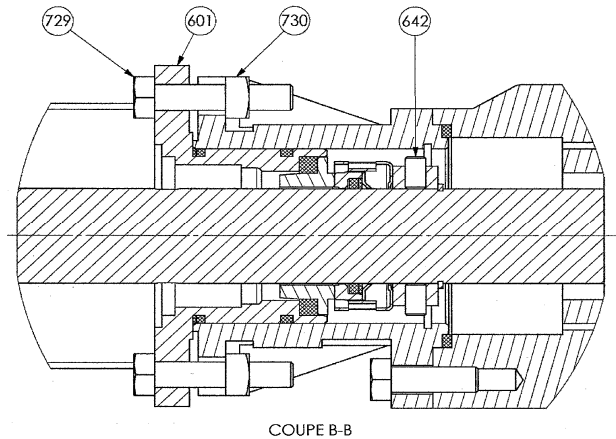
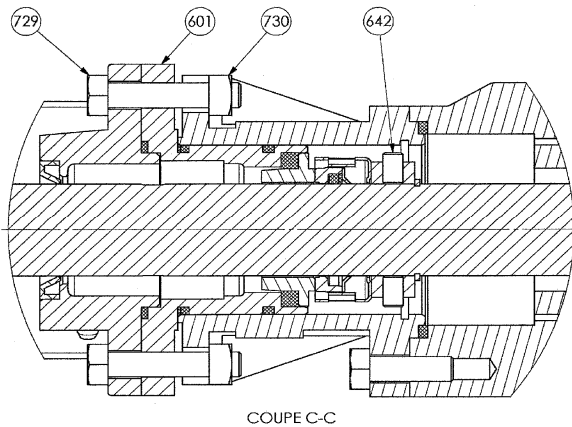
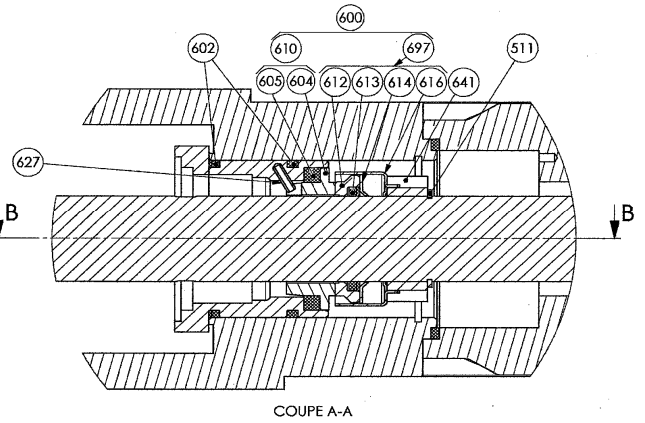
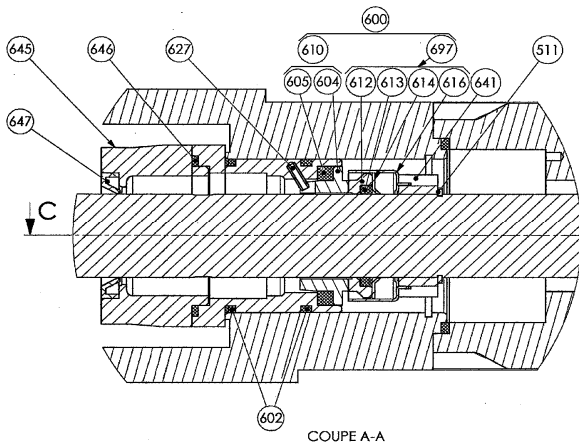
Reference			Description	Quantity		Article code		Wear parts
Ass.	Part	Available		In Pump	In comp.	P15 BA	P25 BA	
98		◆	Full set of pump screws	1		307392.01		
98		◆	Full set of jacketed pump screws	1		308791.00		
	410		Screw (Qty : 8 for 308791.00)		(12)			
	411		Screw (308791.00 only)		(4)			
	642		Screw		(2)			
	723		Screw		(4)			
	726		Screw (Qty : 6 for 308791.00)		(3)			
	729		Screw		(2)			
	729A		Screw		(2)			
	730		Nut		(2)			
99		◆	FOR STANDARD PUMP :					
		◆	Set of pump seals - FKM	1		314102.00		•
99		◆	Set of pump seals - CVT	1		314105.00		•
99		◆	Set of pump seals - FKM HT	1		314103.00		•
		◆	FOR JACKETED PUMP :					
99		◆	Set of pump seals - FKM	1		307393.01		•
99		◆	Set of pump seals - CVT	1		310071.01		•
99		◆	Set of pump seals - FKM HT	1		307394.01		•
	403		Seal		(2)			
	417		Copper-plated seal		(2)			
	602		Seal		(2)			
	621		Seal		(1)			
	707		Lip seal		(1)			
	714		Cover seal (jacketed pump)		(1)			
	716		Lip seal		(1)			
	727		Outboard bearing seal		(1)			
	101	▲	Body chromium plating	1		213426	211852	
	101	▲	Body no chromium plating	1		213425	211832	
	301	▲	6 vanes rotor	1		222670		
	301	▲	12 vanes rotor	1		211833		
309		◆	Set of 6 vanes TVP	1		313458.00	313456.00	•
309		◆	Set of 6 vanes TVP with holes	1		313459.00	313457.00	•
309		◆	Set of 6 steel vanes	1		314077.00	314085.00	•
309		◆	Set of 12 vanes TVP	1		307738.00	307738.00	•
309		◆	Set of 12 vanes TVP with holes	1		309335.00	307739.00	•
309		◆	Set of 12 steel vanes	1		312407.00	310974.00	•
	317		Vane		(6/12)			
325		◆	Set of 6 pushrods	1		308741.00	307379.00	•
325		◆	Set of 3 pushrods	1		314078.00	314086.00	•
	318		Pushrod		(3/6)			



Reference			Description	Quantity		Article code		Wear parts
Ass.	Part	Available		In Pump	In comp.	P15 BA	P25 BA	
400		◆	FOR STANDARD PUMP : Front cover complete - Standard version	1		307395.01	•	
400		◆	Front cover complete - Standard version - Enlarged clearance	1		312403.01	•	
400		◆	Front cover complete - HT version	1		314473.00	•	
400		◆	Front cover complete - HT version - Enlarged clearance	1		314474.00	•	
	401A		Front cover long		(1)			
	401B		Front cover short		(1)			
	407		Front cover bushing		(2)			
	410		Screw		(12)			
400		◆	FOR JACKETED PUMP : Front cover complete - Standard version	2		307742.00	•	
400		◆	Front cover complete - Standard version - Enlarged clearance	2		312404.00	•	
400		◆	Front cover complete - HT version	2		314475.00	•	
400		◆	Front cover complete - HT version - Enlarged clearance	2		314476.00	•	
	401		Front cover		(1)			
	410		Screw		(4)			
	411		Screw		(2)			
	416		Plug		(2)			
	417		Copper-plated seal		(1)			
	419		Bushing set - Standard version	1		307386.00		
	419		Bushing set - Standard version - Enlarged clearance	1		312397.00		
	419		Bushing set - HT version	1		314509.00		
	419		Bushing set - HT version - Enlarged clearance	1		314510.00		
	407		Front cover bushing		(1)			
	408		Front cover insert		(1)			
409		◆	Set of front cover o-rings - FKM	1		307396.00	•	
409		◆	Set of front cover o-rings - CVT	1		310359.00	•	
409		◆	Set of front cover o-rings - FKM HT	1		307397.00	•	
	403		Seal		(2)			
420		◆	FOR STANDARD PUMP : Set of carbon bushings - Standard version	1		314100.00	•	
420		◆	Set of carbon bushings - Standard version - Enlarged clearance	1		314101.00	•	
420		◆	Set of carbon bushings - HT version	1		314517.00	•	
420		◆	Set of carbon bushings - HT version - Enlarged clearance	1		314518.00	•	
420		◆	FOR JACKETED PUMP : Set of carbon bushings - Standard version	1		307398.00	•	
420		◆	Set of carbon bushings - Standard version - Enlarged clearance	1		312398.00	•	
420		◆	Set of carbon bushings - HT version	1		314519.00	•	
420		◆	Set of carbon bushings - HT version - Enlarged clearance	1		314520.00	•	
	407		Front cover bushing		(2)			
	408		Front cover bushing (jacketed pump)		(2)			
500		◆	Shaft complete for 6 or 12 vanes pump without pushrods	1		307399.01		
500		◆	Shaft complete for 6 vanes pump with pushrods	1		314081.00		
500		◆	Shaft complete for 12 vanes pump with pushrods	1		307400.01		
	501		Shaft		(1)			
	599		Set of keys		(1)			
599		◆	Set of keys - Pump without pushrods	1		307402.00		
599		◆	Set of keys - Pump with pushrods	1		307401.00		
	508		Key		(1)			
	536		Key (Qty : 2 for pump with pushrods)		(1)			
	537		Circlip		(1)			

WITH GREASE CONTAINER

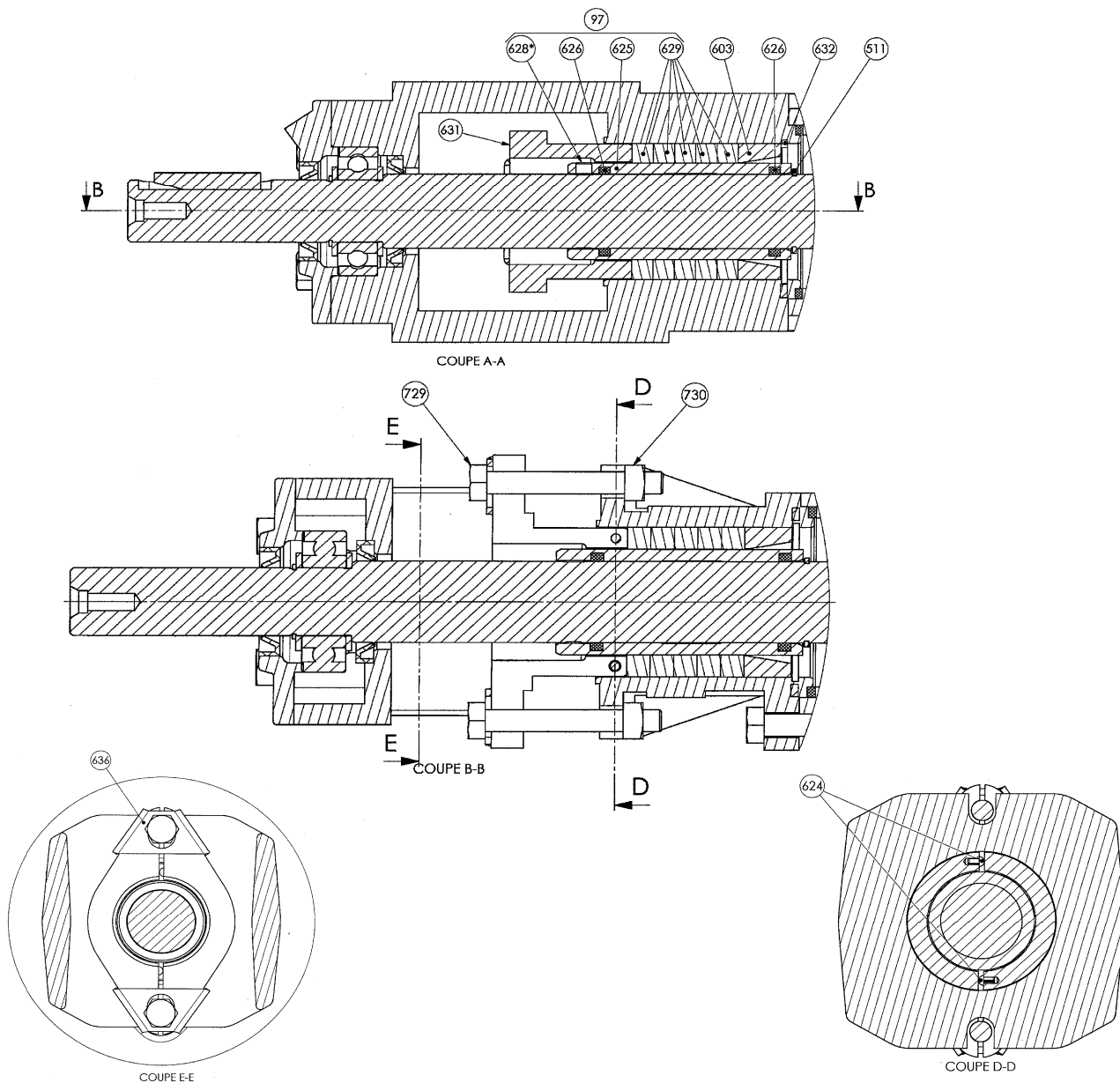
WITHOUT GREASE CONTAINER



Reference			Description	Quantity		Article code		Wear parts
Ass.	Part	Available		In Pump	In comp.	P15 BA	P25 BA	
600		◆	Mechanical seal - Bloctdir CRI.VT	1		300054.00		•
600		◆	Mechanical seal - Bloctdir CRI.CVT	1		307539.01		•
600		◆	Mechanical seal - Bloctdir LRB.VT	1		300068.00		•
600		◆	Mechanical seal - Bloctdir LRB.HT	1		307445.00		•
600		◆	Mechanical seal - Bloctdir HR.VT	1		304290.00		•
600		◆	Mechanical seal - Bloctdir HR.CVT	1		308264.00		•
600		◆	Mechanical seal - Bloctdir HR.HT	1		307446.00		•
	610		Stationary seal face - Bloctdir	1				•
	604		Stationary seal face		(1)			
	605		Seal		(1)			
	697		Rotating part - Bloctdir	1				•
	612		Seal housing		(1)			
	613		Seal		(1)			
	614		Spring guide		(1)			
	615		Spring		(1)			
	616		Cage		(1)			
609		◆	Bloctdir Shaftseal holder complete - FKM	1		307745.00		
609		◆	Bloctdir Shaftseal holder complete - CVT	1		311793.00		
609		◆	Bloctdir Shaftseal holder complete - FKM HT	1		307743.00		
	511		Circlip		(1)			
	601		Shaftseal holder		(1)			
	602		Seal		(2)			
	627		Pin		(1)			
	641		Mechanical seal driver		(1)			
	642		Screw		(2)			
	729		Screw		(2)			
	730		Nut		(2)			
699		◆	Set of mechanical seal seals CRI LRB - FKM	1		307411.00		•
699		◆	Set of mechanical seal seals HR - FKM	1		300059.00		•
699		◆	Set of mechanical seal seals CRI LRB HR - CVT	1		307412.00		•
699		◆	Set of mechanical seal seals LRB HR - FKM HT	1		307413.00		•
	605		Seal		(1)			
	613		Seal		(1)			
	704		Ring (300059.00 only)		(1)			

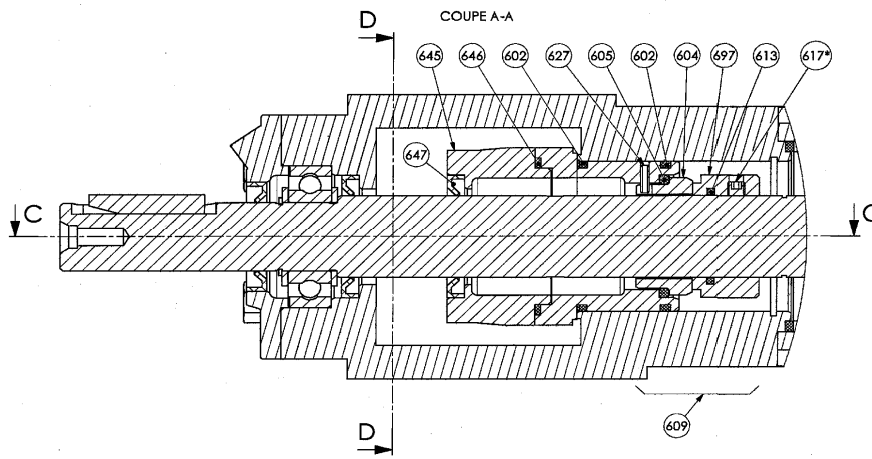
Mechanical seal :

CRI : Carbon/stainless - LRB : Bronze/stainless - HR : Tungsten carbide/tungsten carbide

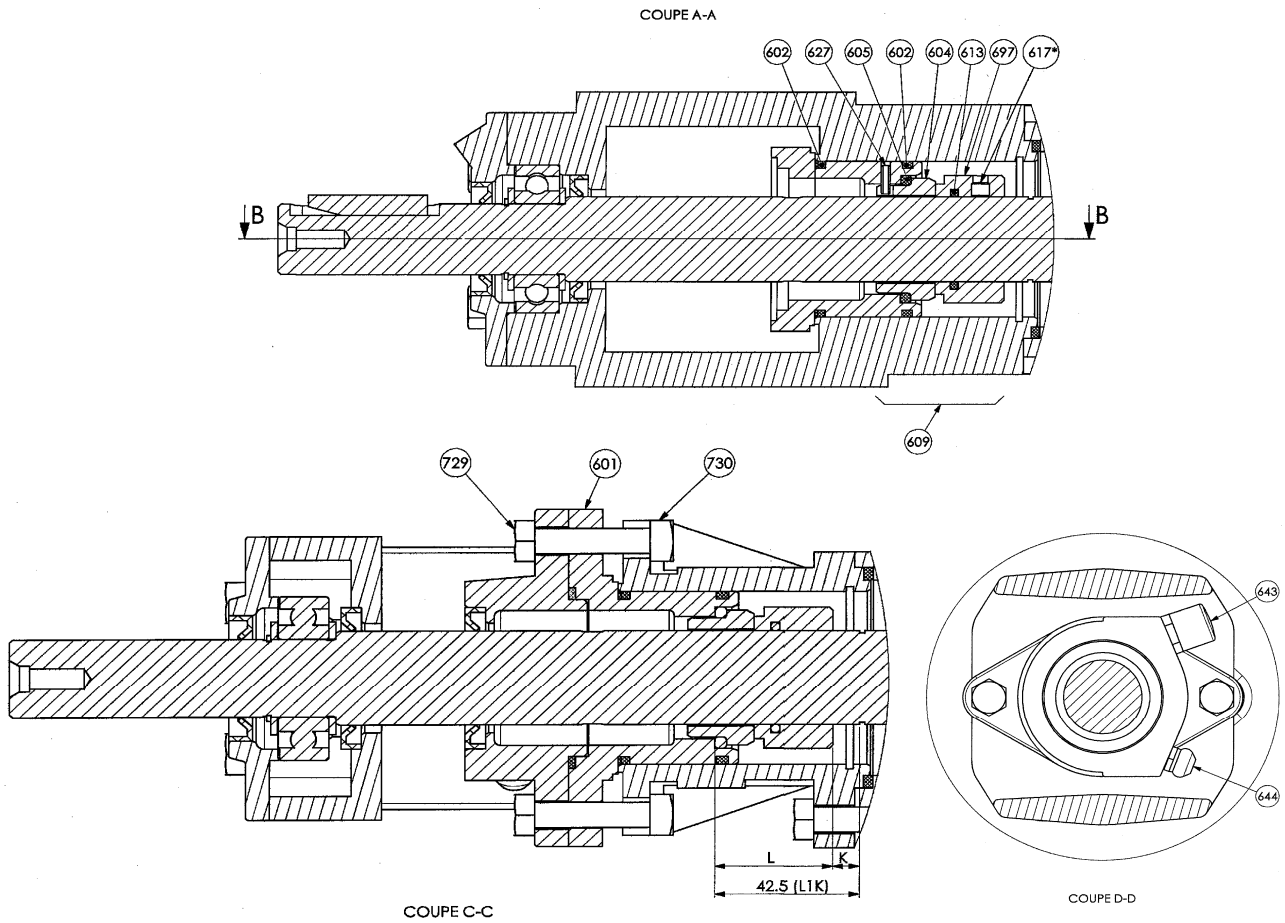


Reference			Description	Quantity		Article code		Wear parts
Ass.	Part	Available		In Pump	In comp.	P15 BA	P25 BA	
609		◆	Set Graphite gland packing - FKM - FKM HT	1		308535.00		
609		◆	Set PTFE gland packing - FKM - CVT - FKM HT	1		312576.00		
	511		Circlip		(1)			
	603		Shaftseal seat		(1)			
	624		Pin		(2)			
	625		Jacket		(1)			
	626		Seal		(2)			
	628		Screw		(3)			
	629		Fabric		(5)			
	631		Ram		(1)			
	632		Circlip (gland packing)		(1)			
	636		Stirrup shaftseal holder		(2)			
	729		Screw		(2)			
	730		Nut		(2)			
97		◆	Graphite gland packing kit - FKM - FKM HT	1		312486.00		
97		◆	PTFE gland packing kit - FKM - CVT - FKM HT	1		312484.00		
	625		Jacket		(1)			
	626		Seal		(2)			
	628		Screw		(3)			
	629		Fabric		(5)			
699A		◆	Set of gland packing seals and screws - FKM	1		309304.00		•
699A		◆	Set of gland packing seals and screws - CVT	1		312322.03		•
699A		◆	Set of gland packing seals and screws - FKM HT	1		308569.00		•
	511		Circlip (except 309304.00)		(1)			
	626		Seal		(2)			
	628		Screw		(3)			
	632		Circlip (except 309304.00)		(1)			
	636		Stirrup shaftseal holder		(2)			
	729		Screw		(2)			
	730		Nut		(2)			

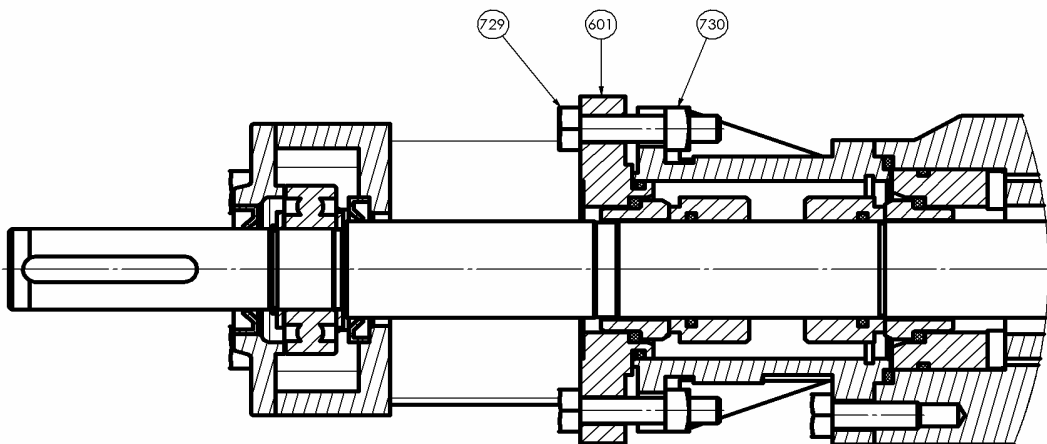
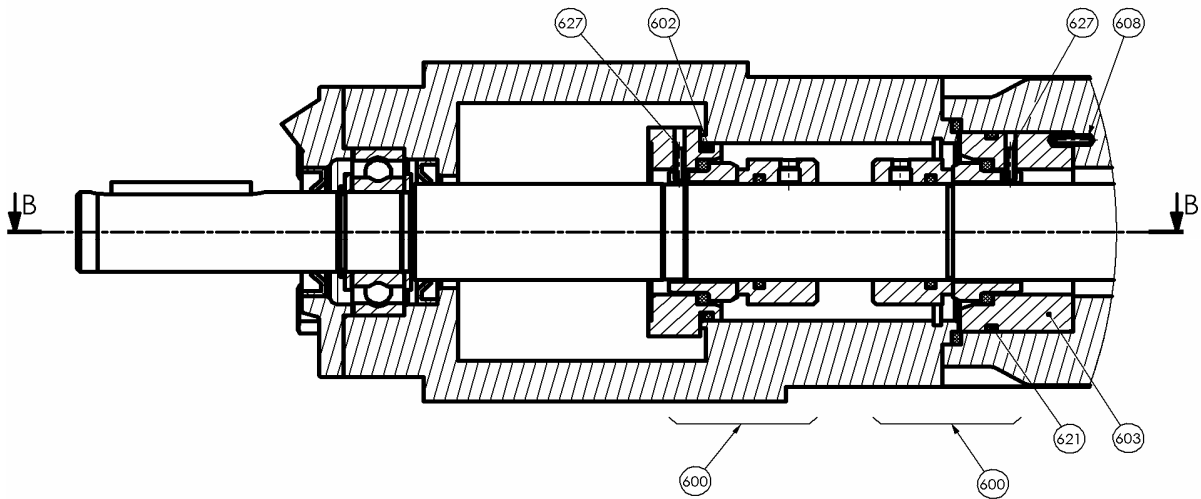
WITH GREASE CONTAINER



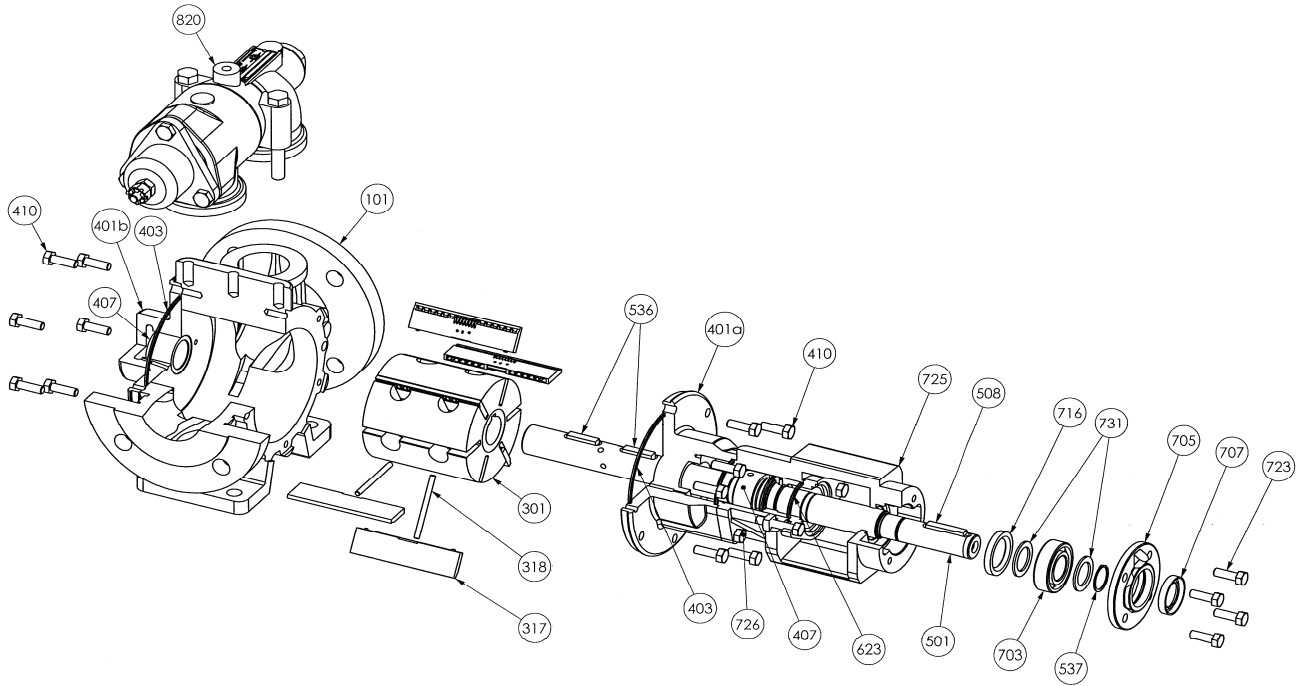
WITHOUT GREASE CONTAINER



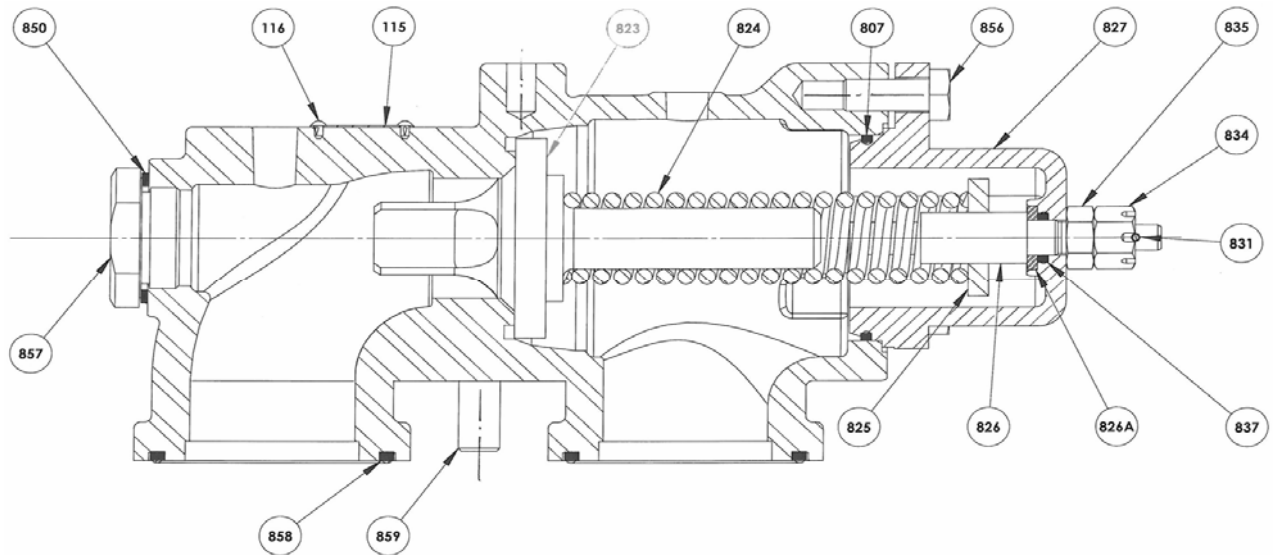
Reference			Description	Quantity		Article code		Wear parts
Ass.	Part	Available		In Pump	In comp.	P15 BA	P25 BA	
609		◆	PGSN Shaftseal holder complete - FKM	1			308527.00	
609		◆	PGSN Shaftseal holder complete - CVT	1			312409.00	
609		◆	PGSN Shaftseal holder complete - FKM HT	1			308532.00	
	511		Circlip		(1)			
	601		Shaftseal holder		(1)			
	602		Seal		(2)			
	627		Pin		(1)			
	641		Mechanical seal driver (FKM only)		(1)			
	642		Screw (FKM only)		(2)			
	729		Screw		(2)			
	730		Nut		(2)			
640		◆	Reservoir grease complete	1			307407.00	
	643		Snifter valve		(1)			
	644		Grease nipple		(1)			
	645		Cover		(1)			
	646		Seal		(1)			
	647		Lip seal		(1)			



Reference			Description	Quantity		Article code		Wear parts
Ass.	Part	Available		In Pump	In comp.	P15 BA	P25 BA	
609		◆	PGDN Shaftseal holder complete - FKM	1		308528.00		
609		◆	PGDN Shaftseal holder complete - CVT	1		312408.00		
609		◆	PGDN Shaftseal holder complete - FKM HT	1		308533.00		
	601		Shaftseal holder		(1)			
	602		Seal		(1)			
	603		Shaftseal seat		(1)			
	608		Pin		(1)			
	621		Seal		(1)			
	627		Pin		(2)			
	729		Screw		(2)			
	730		Nut		(2)			



Reference			Description	Quantity		Article code		Wear parts
Ass.	Part	Available		In Pump	In comp.	P15 BA	P25 BA	
700		◆	Complete frond cover cover - FKM	1		307403.00		
700		◆	Complete frond cover cover - CVT	1		312328.00		
700		◆	Complete frond cover cover - FKM HT	1		307744.00		
	712		Front cover cover		(1)			
	714		Cover seal		(1)			
	726A		Screw		(3)			
704		◆	Ball bearing kit	1		307842.00		
	537		Circlip		(1)			
	703		Ball bearing		(1)			
	714		Cover seal		(1)			
	731		Roller bearing support washer		(2)			
715		◆	Set of seals + diverse for outboard bearing - FKM	1		307404.00		
715		◆	Set of seals + diverse for outboard bearing - CVT	1		310339.00		
715		◆	Set of seals + diverse for outboard bearing - FKM HT	1		307405.00		
	511		Circlip		(1)			
	537		Circlip		(1)			
	602		Seal		(2)			
	608		Pin		(1)			
	621		Seal		(1)			
	627		Pin		(2)			
	642		Screw (except 310339.00)		(2)			
	646		Seal		(1)			
	647		Lip seal		(1)			
	707		Lip seal		(1)			
	716		Lip seal		(1)			
	727		Outboard bearing seal		(1)			
720		◆	FOR PUMP WITH PGDN MECHANICAL SEAL :					
720		◆	Outboard bearing, complete - FKM	1		308530.00		
720		◆	Outboard bearing, complete - CVT	1		312450.00		
720		◆	Outboard bearing, complete - FKM HT	1		308536.00		
720		◆	FOR PUMP WITH OTHERS MECHANICAL SEALS :					
720		◆	Outboard bearing, complete - FKM	1		308531.00		
720		◆	Outboard bearing, complete - CVT	1		312325.00		
720		◆	Outboard bearing, complete - FKM HT	1		307746.00		
	703		Ball bearing		(1)			
	716		Lip seal		(1)			
	725		Outboard bearing		(1)			
	726		Screw		(3)			
	727		Outboard bearing seal		(1)			
	731		Roller bearing support washer		(2)			



Reference			Description	Quantity		Article code		Wear parts
Ass.	Part	Available		In Pump	In comp.	P15 BA	P25 BA	
820		◆	Single bypass, complete - FKM	1			307102.00	
820		◆	Single bypass, complete - CVT	1			312326.00	
820		◆	Single bypass, complete - FKM HT	1			307106.00	
820		◆	Double bypass, complete - FKM	1			307114.00	
820		◆	Double bypass, complete - CVT	1			312412.00	
820		◆	Double bypass, complete - FKM HT	1			307118.00	
	115		Bypass orientation plate		(1)			
	116		Plate rivet		(2)			
	801		Bypass body		(1)			
	823	▲	Valve	1 *			204795	
	827		Cap		(1) *			
	858		Seal		(2)			
	859		Screw		(2)			
	898	◆	Pressure screw assembly - FKM	1 *			307122.00	
	898	◆	Pressure screw assembly - CVT	1 *			312327.00	
	898	◆	Pressure screw assembly - FKM HT	1 *			307137.00	
	807		Seal		(1)			
	825		Spring guide		(1)			
	826		Pressure screw		(1)			
	831		Pin		(1)			
	834		Nut		(1)			
	835		Nut		(1)			
	837		Seal		(1)			
	856		Screw		(3)			
	824	◆	3 bar spring	1 *			314463.00	
	824	▲	6 bar spring	1 *			211528	
	824	▲	9 bar spring	1 *			211529	
	824	◆	12 bar spring	1 *			309500.00	
866		◆	Complete plug	1 *			307734.00	
	850		Seal		(1)			
	857		Plug		(1)			
868		◆	Complete stirrup - FKM	1			308807.02	
868		◆	Complete stirrup - CVT	1			312411.02	
868		◆	Complete stirrup - FKM HT	1			308808.02	
	858		Seal		(2)			
	859		Screw		(1)			
	859A		Washer		(1)			
	865		Plug		(2)			
	867		Stirrup		(1)			
	899	▲	Seal (for Stirrup) - FKM	2			200795	
	899	▲	Seal (for Stirrup) - CVT	2			215301	
	899	▲	Seal (for Stirrup) - FKM HT	2			209454	

* Quantity x 2 for double bypass

Reference			Description	Quantity		Article code		Wear parts
Ass.	Part	Available		In Pump	In comp.	P15 BA	P25 BA	
899		◆	Set of seals + diverse for bypass - FKM	1 *			307088.00	
899		◆	Set of seals + diverse for bypass - CVT	1 *			312429.01	
899		◆	Set of seals + diverse for bypass - FKM HT	1 *			307089.00	
	807		Seal		(1)			
	831		Pin		(1)			
	834		Nut		(1)			
	835		Nut		(1)			
	837		Seal		(1)			
	850		Seal (except 312429.01)		(1)			
	852		Seal (except 312429.01)		(1)			
	855		Pin		(1)			
	856		Screw		(3)			
	858		Seal		(2)			
	859		Screw		(2)			

* Quantity x 2 for double bypass

(◆) Sets of parts or (▲) parts available to order.

CVT : FEP encapsulated FKM

Keep this parts lists with Installation, Operation and Maintenance Instructions.
To order the required spare parts, indicate the appropriate CUM numbers.



Z.I. la Plaine des Isles - 2 rue des Caillottes F-89000 AUXERRE - France
Tel : +33 (0)3 86 49 86 30 • Fax : +33 (0)3 86 49 87 17
contact@mouvex.com • www.mouvex.com