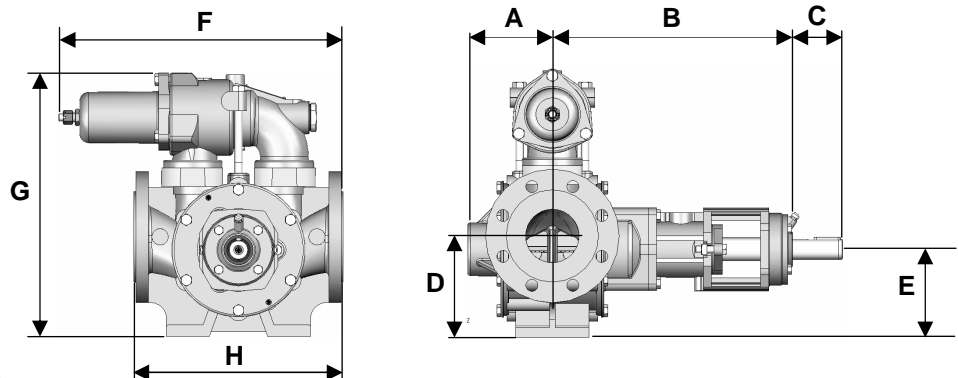


### CHARACTERISTICS

|   | STANDARD             | AVAILABLE OPTIONS                   |
|---|----------------------|-------------------------------------|
| <b>Technology</b>                                       | Vane pump            |                                     |
| <b>Maximum Flow rate at 1 cSt m<sup>3</sup>/h (GPM)</b> | 25 (110)             |                                     |
| <b>Cubic capacity L (cu.in)</b>                         | 0.46 (28.07)         |                                     |
| <b>Internal relief valve</b>                            | Single               | Double, no relief valve             |
| <b>Rotation</b>   | Reversible           |                                     |
| <b>Ports</b>  | ISO PN16 Flanges     |                                     |
| <b>Heating</b>  | -                    | Heating jacket                      |
| <b>Dimensions mm (in.)</b>                              | <b>A</b> 101 (3.98)  |                                     |
|   | <b>B</b> 316 (12.44) |                                     |
|   | <b>C</b> 62.5 (2.46) |                                     |
|   | <b>D</b> 125 (4.93)  |                                     |
|   | <b>E</b> 112 (4.41)  |                                     |
|   | <b>F</b> 323 (12.72) | 396 (15.6) with double relief valve |
|   | <b>G</b> 327 (12.87) | 281.5 (11.09) without relief valve. |
|   | <b>H</b> 250 (9.84)  |                                     |
| <b>Weight kg (lbs)</b>                                  | 41 (90.4)            | 38 (84) without relief valve        |



### OPERATING LIMITS

|  | STANDARD MATERIALS | AVAILABLE OPTIONS             |
|--|--------------------|-------------------------------|
| <b>Minimum temperature °C (°F)</b>             | -10 (14)           |                               |
| <b>Maximum temperature °C (°F)</b>             | 200 (392)          | 250 (482) with FKM HT O rings |
| <b>Maximum viscosity cSt (SSU)</b>             | 200000 (960000)    |                               |
| <b>Maximum differential pressure bar (psi)</b> | 12 (174)           |                               |
| <b>Maximum outlet pressure barg (psig)</b>     | 14 (203)           |                               |
| <b>Maximum speed (rpm)</b>                     | 1000               |                               |

### MATERIALS OF CONSTRUCTION

| Part No | PART NAME               | STANDARD MATERIALS             | AVAILABLE OPTIONS  |
|---------|-------------------------|--------------------------------|--|
| 101     | Casing                  | Stainless steel 316L           |  |
| 301     | Rotor                   | Stainless steel 316L           |  |
| 317     | Vanes                   | PEEK                           |  |
| 318     | Push Rods               | -                              | Stainless steel 304L   |
| 401     | Cover                   | Stainless steel 316L           |  |
| 407     | Bushings                | Carbon                         |  |
| 501     | Shaft                   | Stainless steel 630            |  |
| 508     | Shaft end key           | Stainless steel 316L           |  |
| 536     | Rotor key               | Stainless steel 316L           |  |
| 712     | End Cover               | Stainless steel 316L           |  |
| 725     | Outboard bearing holder | Stainless steel 316L           |  |
| 705     | Outboard bearing cover  | Stainless steel 316L           |  |
| 801     | Relief valve casing     | Stainless steel 316L           |  |
| 823     | Relief valve plug       | Stainless steel 316L           |  |
| 827     | Relief valve cover      | Stainless steel 316L           |  |
|         | Bolts                   | Stainless steel 316            |  |
|         | O rings                 | FKM                            | PTFE coated FKM, FKM HT  |
| 600     | Mechanical seal (1)     | Carbon/FKM/Silicon carbide/FKM | Carbon/PTFE/Silicon carbide/PTFE<br>Sil. Carb./FKM/Silicon carbide/FKM<br>Sil. Carb./PTFE/Silicon carbide/PTFE<br>PTFE Packing<br>Graphite Packing<br>Flushed single seal (2)<br>Flushed double seal (2) |

- (1) Standardized mechanical seal only  
 (2) Consult factory

